

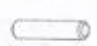



















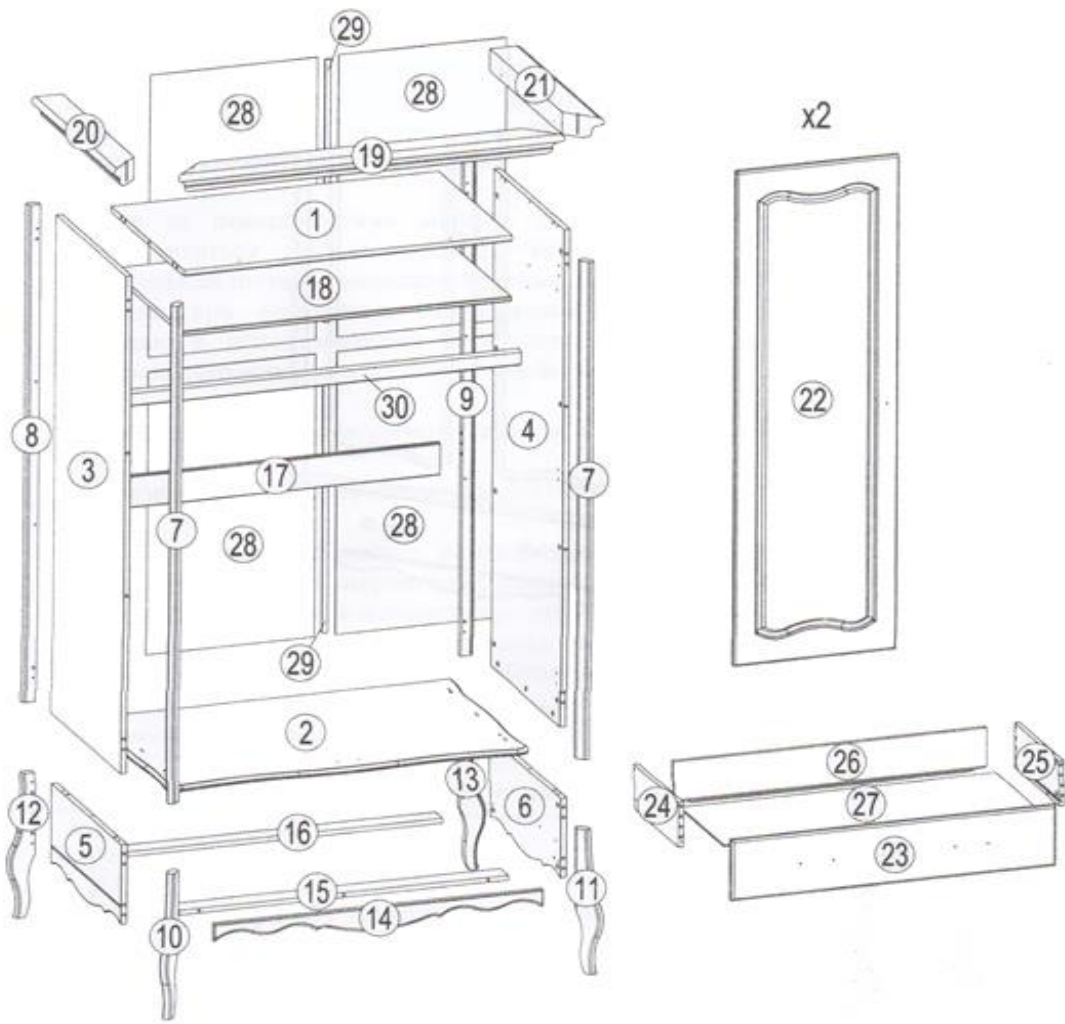
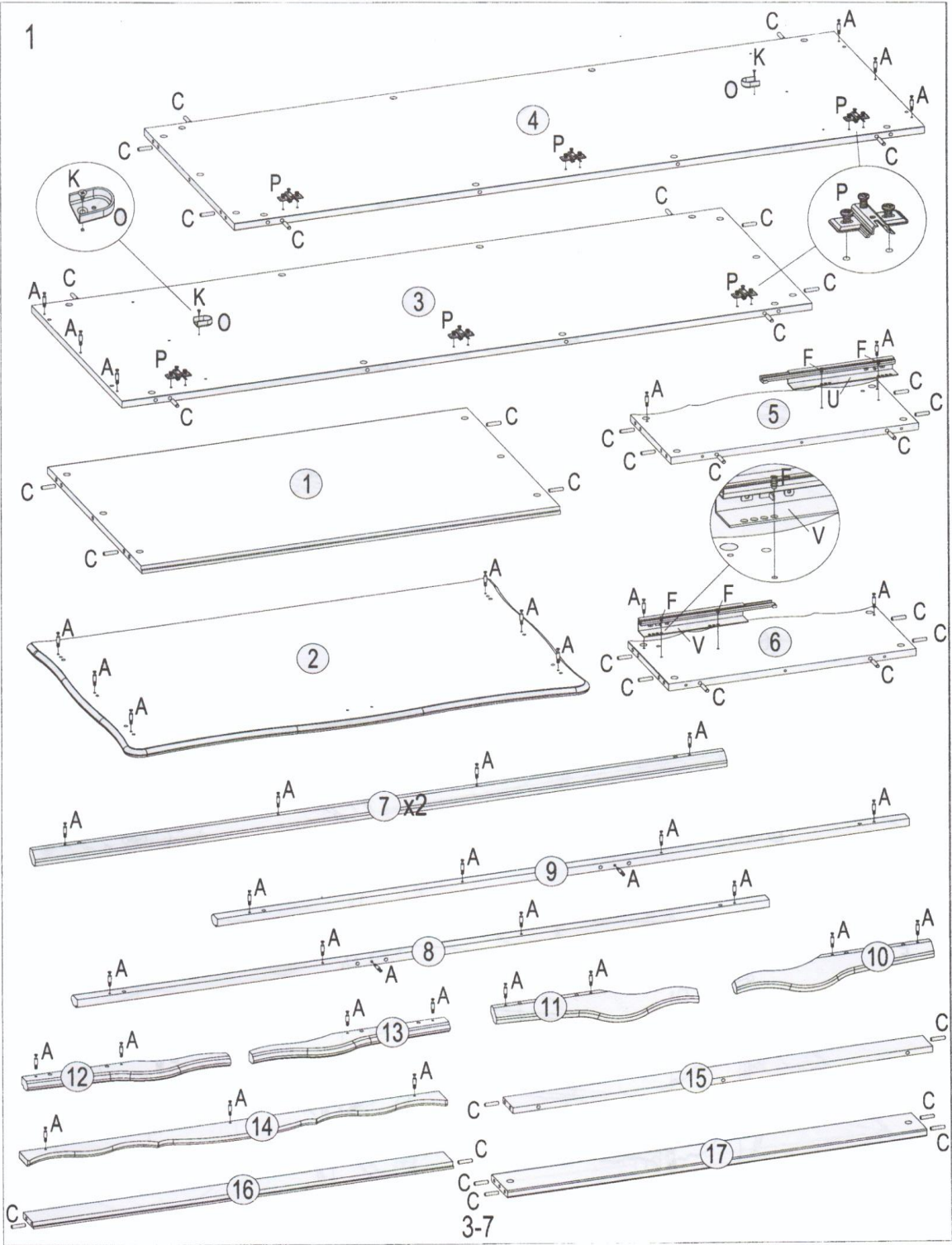
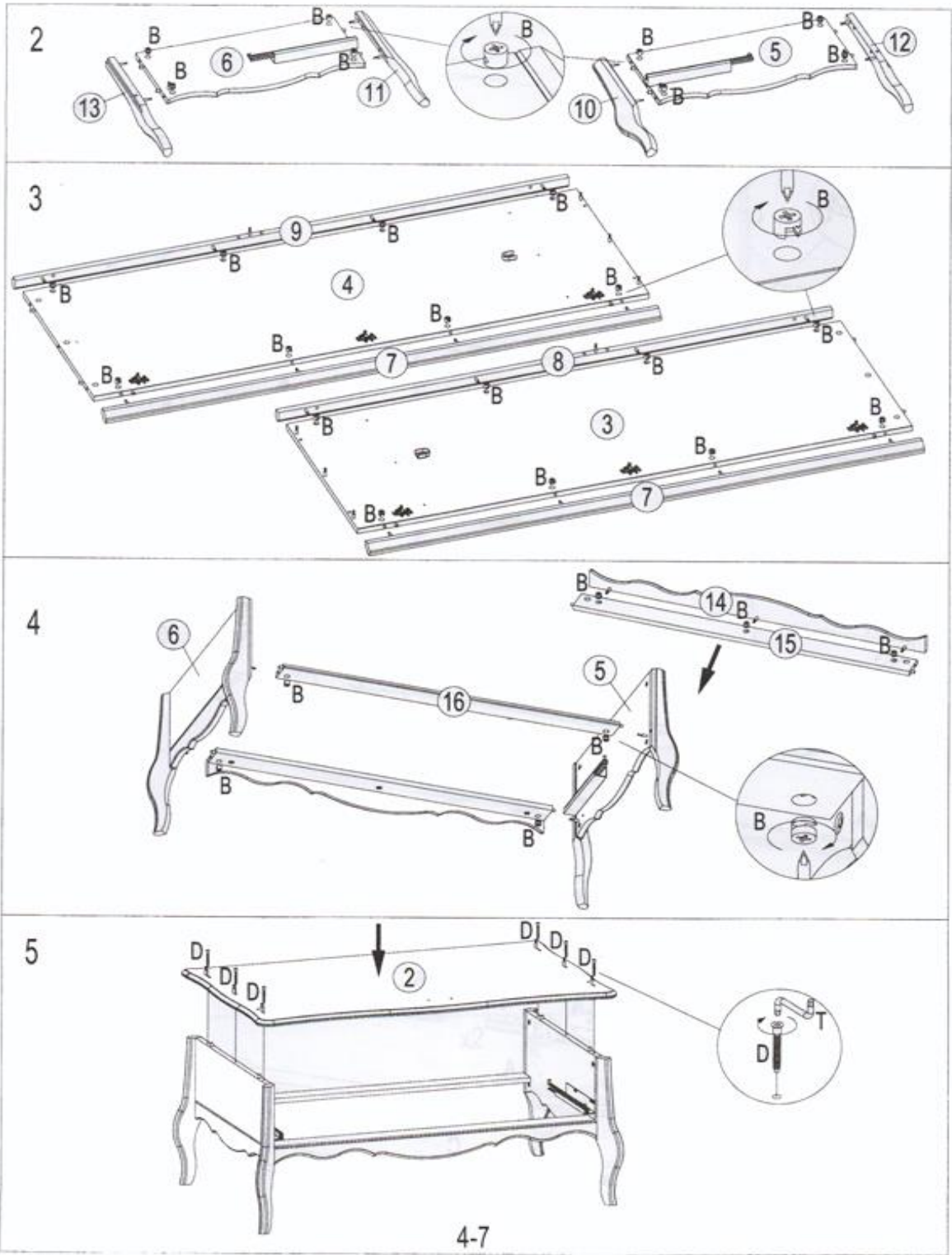


90 min

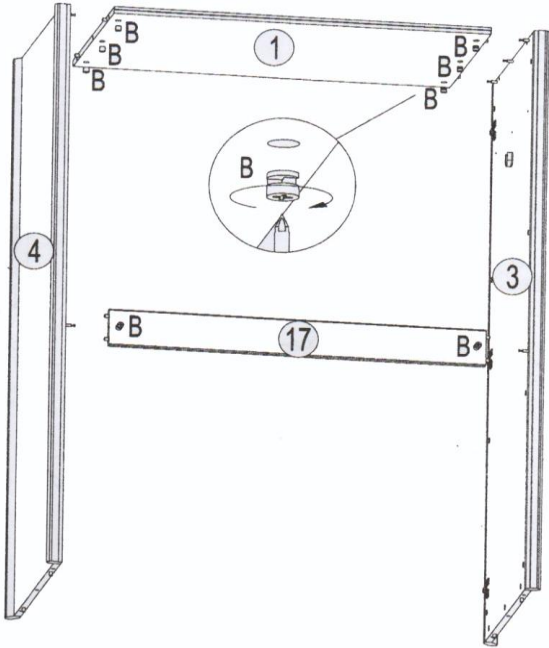
Ax49 	Bx49 	Cx44 	Dx6  Tx50	Ex6 	Fx4 
Gx2 	Hx2 	Ix4  M4x22	Jx2  M4x30	Kx26  Ø3.5x15	Lx4  Ø4x35
Mx2 	Nx2  60	Ox2 	Px6 	Qx6 	Rx6 
Sx75  1,2x20	Tx1 	Ux1 	Vx1 		



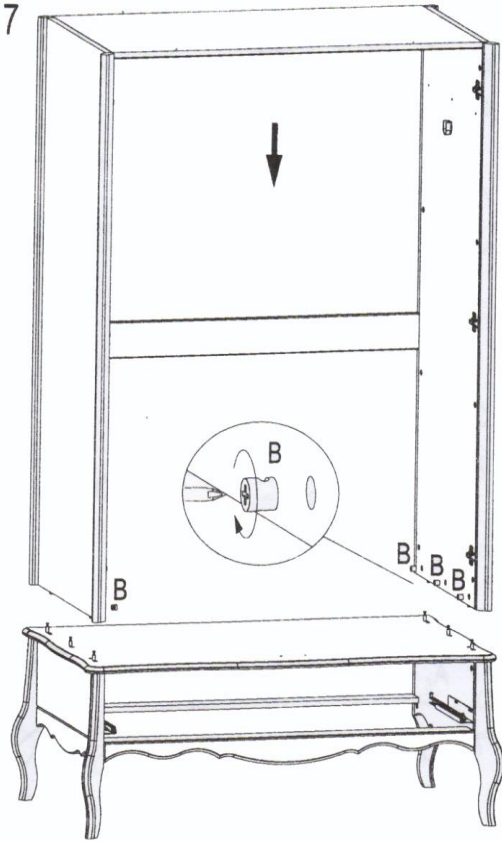




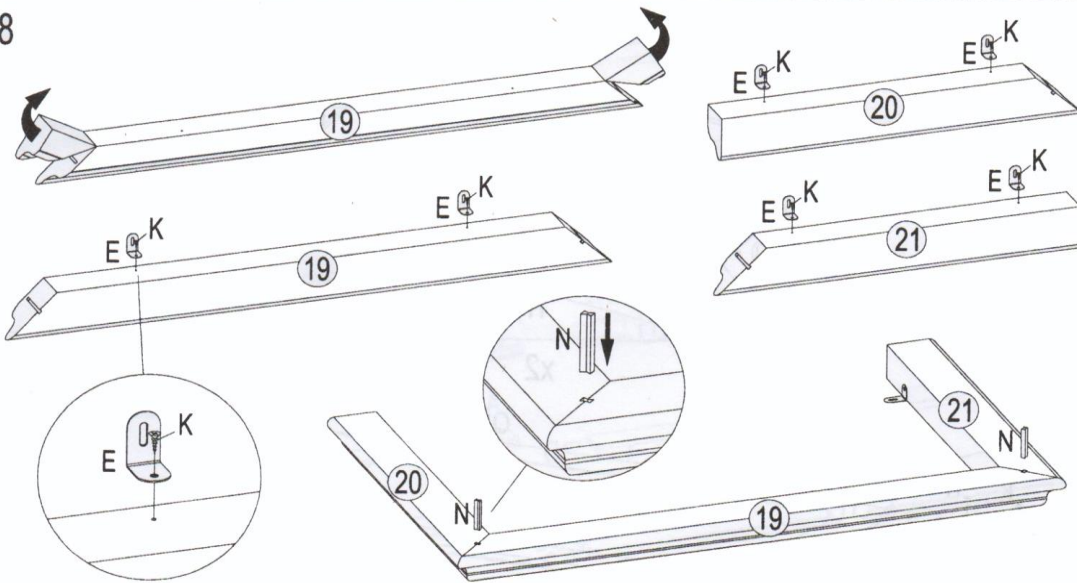
6



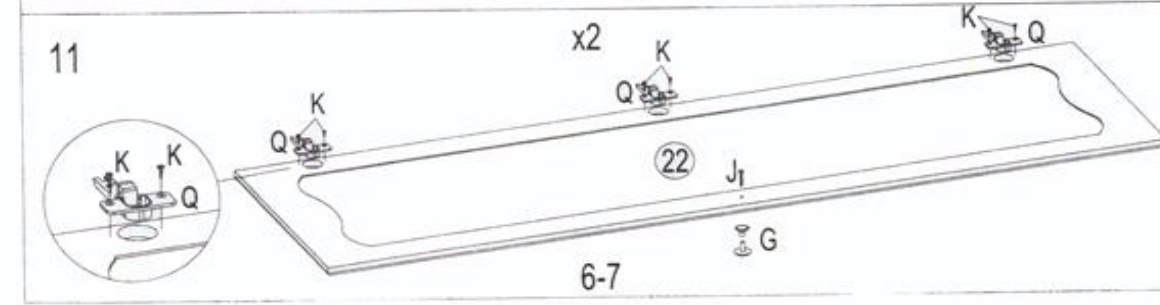
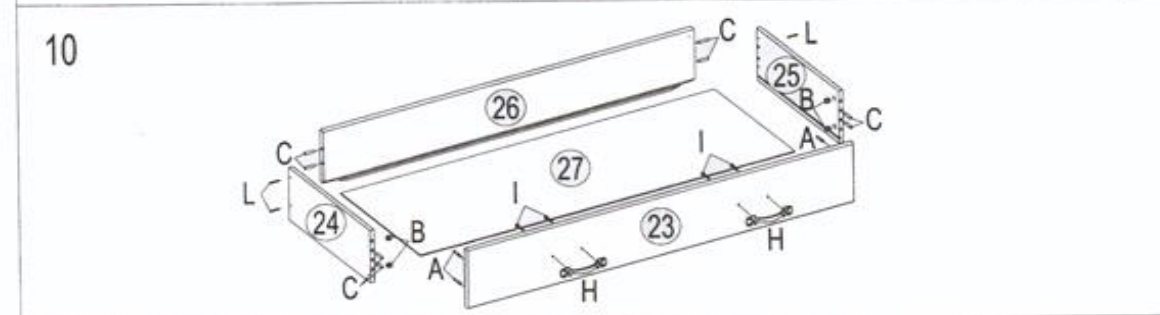
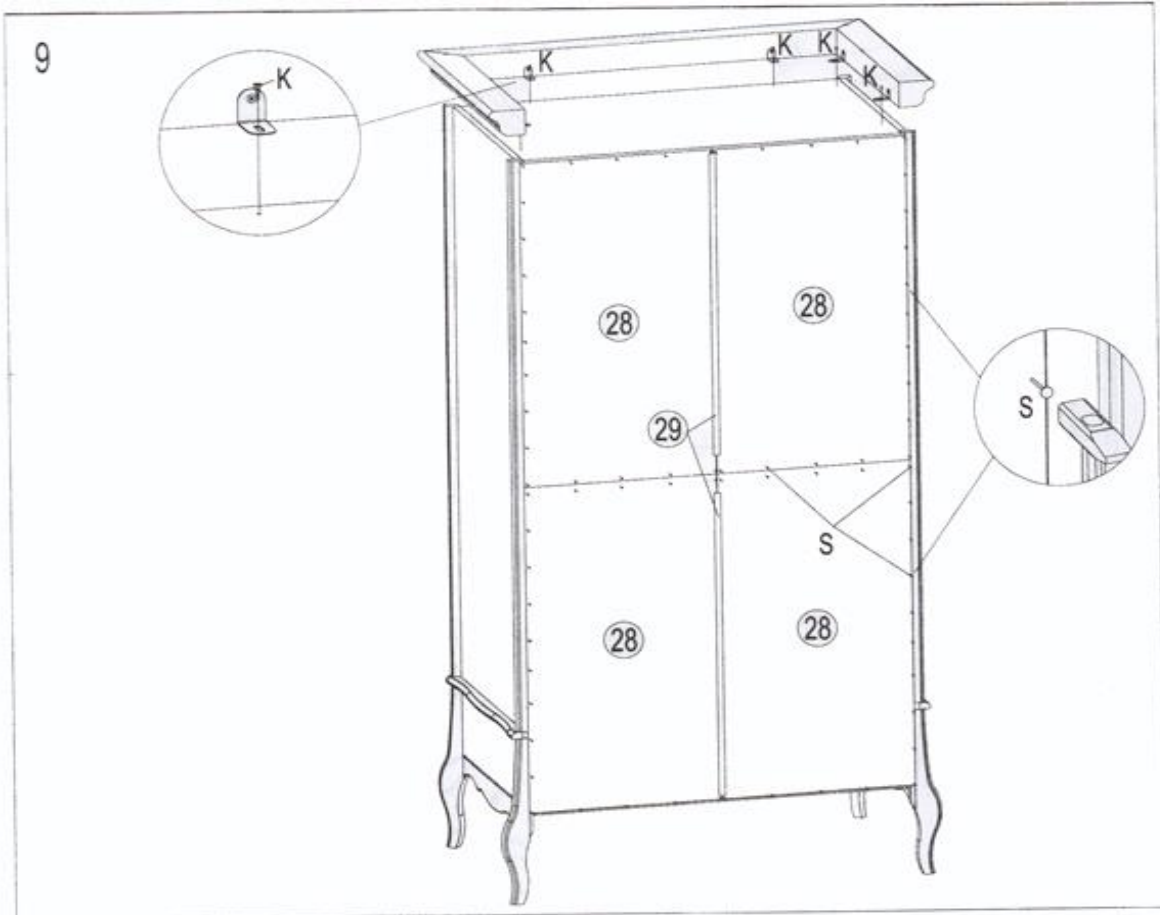
7



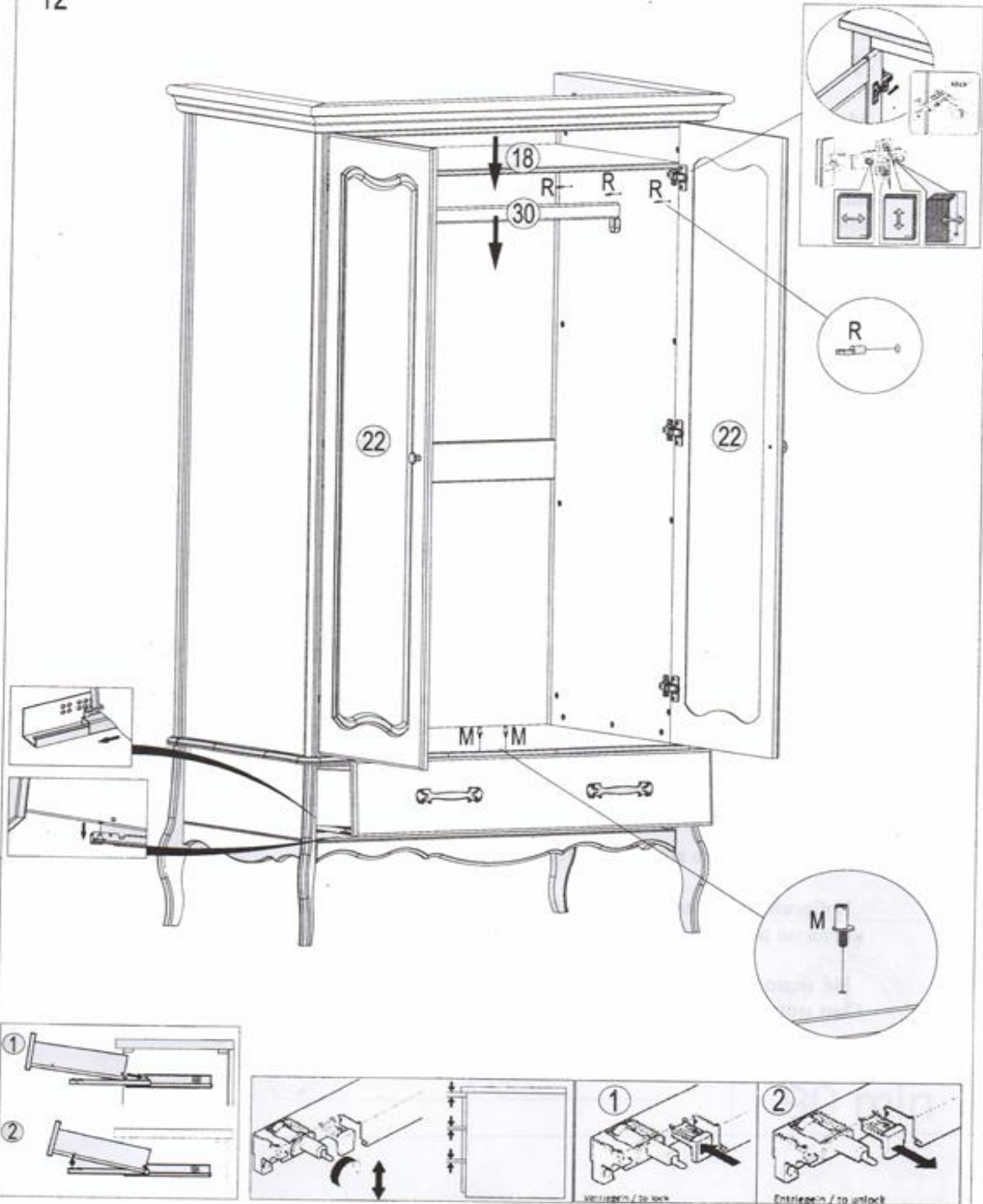
8



5-7



12



7-7